

Features

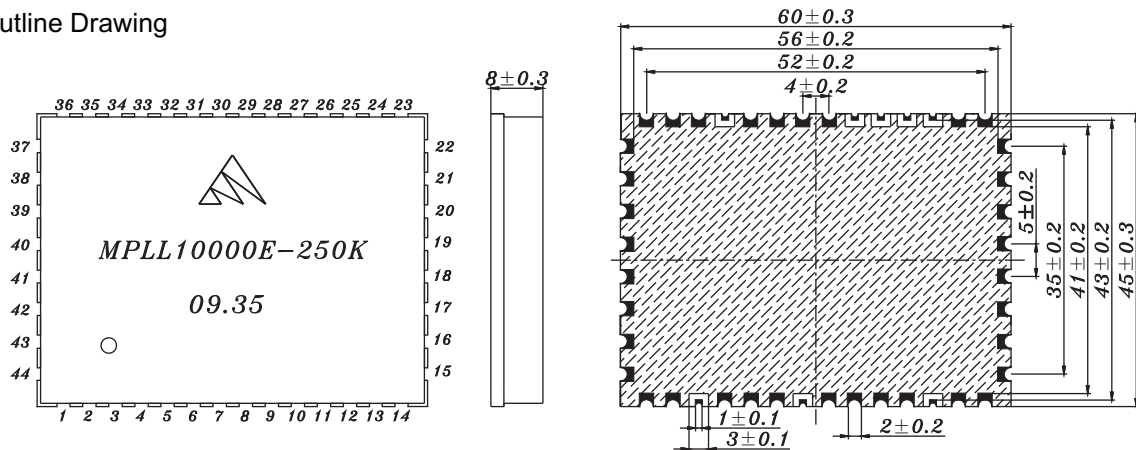
- Phase locked and frequency multiplying source
- Small package 60*45*8mm



Parameters	Units	Value	Parameters	Units	Value
Frequency	MHz	9.5-10.5	Suprious output	dBc	-70
Power output	dBm	2±2	Phase noise	dBc/Hz	-90
Step size	kHz	250	Vcc1/Im1	V/mA	+5/200
Harmonic output	dBc	-40	Vcc2/Im2	V/mA	+18/20

Package information

- Outline Drawing



- Pin functions

Pin No.	Function	Pin No.	Function
3	+5V	31	LD
8	REFin	32	CLK
12	+18V	33	DATA
26	RFout	34	LE
		Others	GND