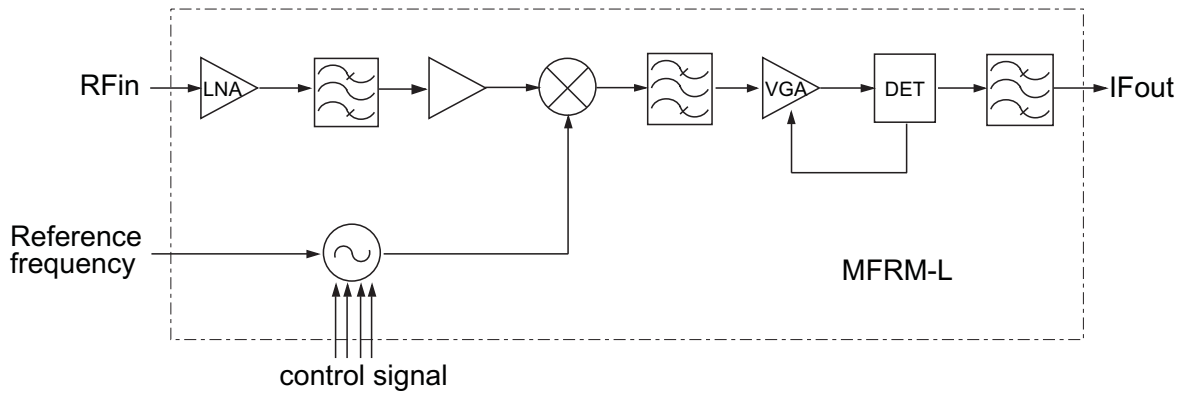


**Features**

- Small size: 50\*40\*11mm
- Integrated LO
- Low phase noise, high image rejection
- AGC range 45dB
- Operating temp range -40°C~+70°C



**Schematic diagram**



**Electrical specifications(test system)**

Parameter	RF Input Frequency	IF Output Frequency	Bandwidth	Noise Figure	Input Level	Output Level	AGC Range
Unit	MHz	MHz	MHz	dB	dBm	dBm	dB
Typical	L ± 50	70	10	< 2.0	-115 ~ -55	-15 ~ 0	45
Parameter	Ip3	Image Rejection	LO Leakage	Harmonics	Spurious	Current (+5V)	Current (-5V)
Unit	dBc	dBc	dBc	dBc	dBc	mA	mA
Typical	> 50	> 50	< -65	< -50	< -65	400	20
Parameter	LO Step	IF Phase Noise					
		@1kHz	@10kHz	@100kHz	@1MHz		
Unit	MHz	dBc/Hz	dBc/Hz	dBc/Hz	dBc/Hz		
Typical	1	-80	-85	-95	-110		

**Note**

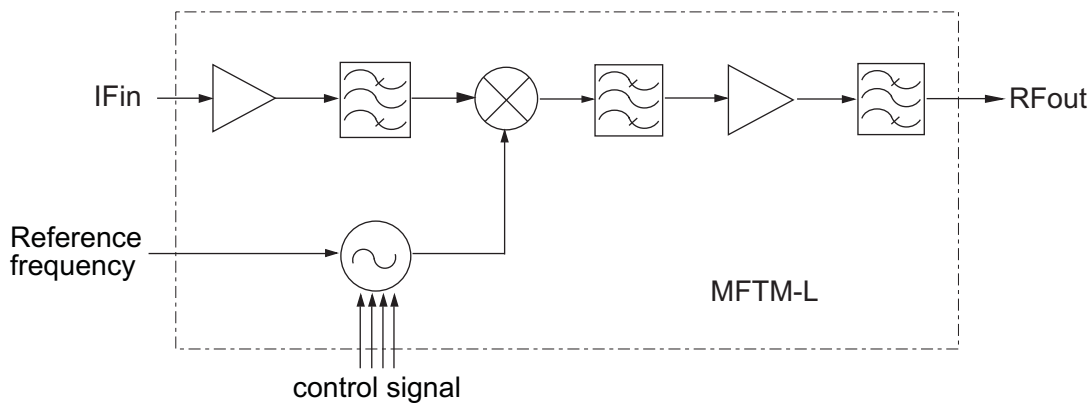
- 1) Custom outline drawing and way to fixed are available
- 2) Custom connetors are available
- 3) Custom electrical specifications are available

**Features**

- Small size: 50\*40\*11mm
- Integrated LO
- Low spurious output
- Operating temp range -40°C~+70°C



**Schematic diagram**



**Electrical specifications(test system)**

Parameter	RF Input Frequency	IF Output Frequency	Bandwidth	Input Level	Output Level	Gain flatness
Unit	MHz	MHz	MHz	dBm	dBm	dB
Typical	70	L±50	10	+2	+5	±1
Parameter	Image Rejection	LO Leakage	Harmonics	Spurious	Current (+5V)	Current (-5V)
Unit	dBc	dBc	dBc	dBc	mA	mA
Typical	>50	<-65	<-50	<-50	380	40
Parameter	LO Step	Output Phase Noise				
		@1kHz	@10kHz	@100kHz	@1MHz	
Unit	MHz	dBc/Hz	dBc/Hz	dBc/Hz	dBc/Hz	
Typical	1	-80	-85	-95	-110	

**Note**

- 1) Custom outline drawing and way to fixed are available
- 2) Custom connetors are available
- 3) Custom electrical specifications are available